



Minibench

Index

Minibench	04
Focus Points	10
Included items	19
Options	20

MINIBENCH

Smart. Fast.
Powerful.



Small and medium damage

The Minibench is designed to repair small and medium damage with maximum speed and ease.

Sturdy and compact, it occupies very little space inside the collision repair facility at just 2327mm long and 108mm high.

Lifting and repair any vehicle

The Minibench can be used for most vehicles, including commercial vehicles, SUVs and 4x4s.

It can be used as a lift or straightening bench, with a 6 ton pull tower capable of delivering 360° pulls around the entire vehicle. Incorporating the Touch electronic system for precise structural measurements adds additional speed and accuracy to each repair performed back to the vehicle's OEM specifications.

Given its versatility, it is a bench that is used daily.



MSH
equipment



Minibench can be used to: **Lift**



Minibench can be used to: **Repair**



Minibench can be used to: **Repair with Touch**

Minibench is available in 3 different variants:
Minibench, Minibench DT and Minibench Maxi Plus

Minibench

Front pulling column insertion location

Lifting Capacity	2200 kg
Lenght	2065 mm
Lifting Height	1350 mm
Minimum Height	100 mm
Pulling Force	6 Ton

Minibench DT

Front and back pulling column insertion locations

Lifting Capacity	2200 kg
Lenght	2065 mm
Lifting Height	1350 mm
Minimum Height	100 mm
Pulling Force	6 Ton

Minibench Maxi Plus

Front and back pulling column insertion locations

Lifting Capacity	3500 kg
Lenght	2327 mm
Lifting Height	1600 mm
Minimum Height	108 mm
Pulling Force	6 Ton

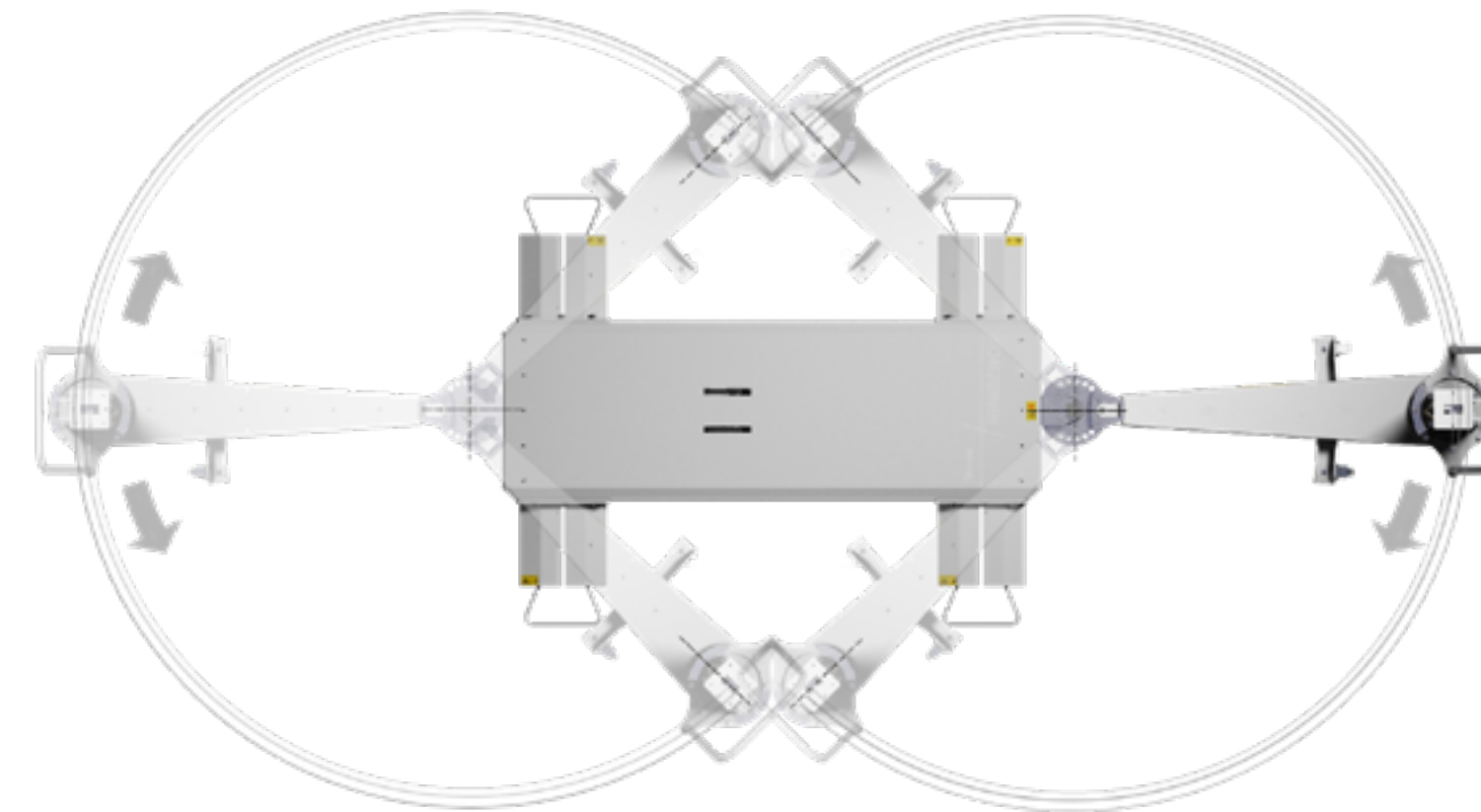


1350 mm -
Minibench
Minibench DT

1600 mm -
Minibench Maxi Plus

2065 mm -
Minibench
Minibench DT

2327 mm -
Minibench Maxi Plus



3800 mm -
Minibench
Minibench DT
Minibench Maxi Plus

3900 mm -
Minibench

6035 mm -
Minibench DT

6300 mm -
Minibench Maxi Plus

Focus Points

Focus **01** | Fast, easy and universal

Focus **02** | Compact and rugged

Focus **03** | No hard edges

Focus **04** | Fast loading of the vehicle

Focus **05** | Multiple uses

Focus **06** | Clamp attachment without using trolleys

Focus **07** | Touch accuracy

Focus **08** | Powerful Pulling column



Focus **01**

Fast, easy and universal

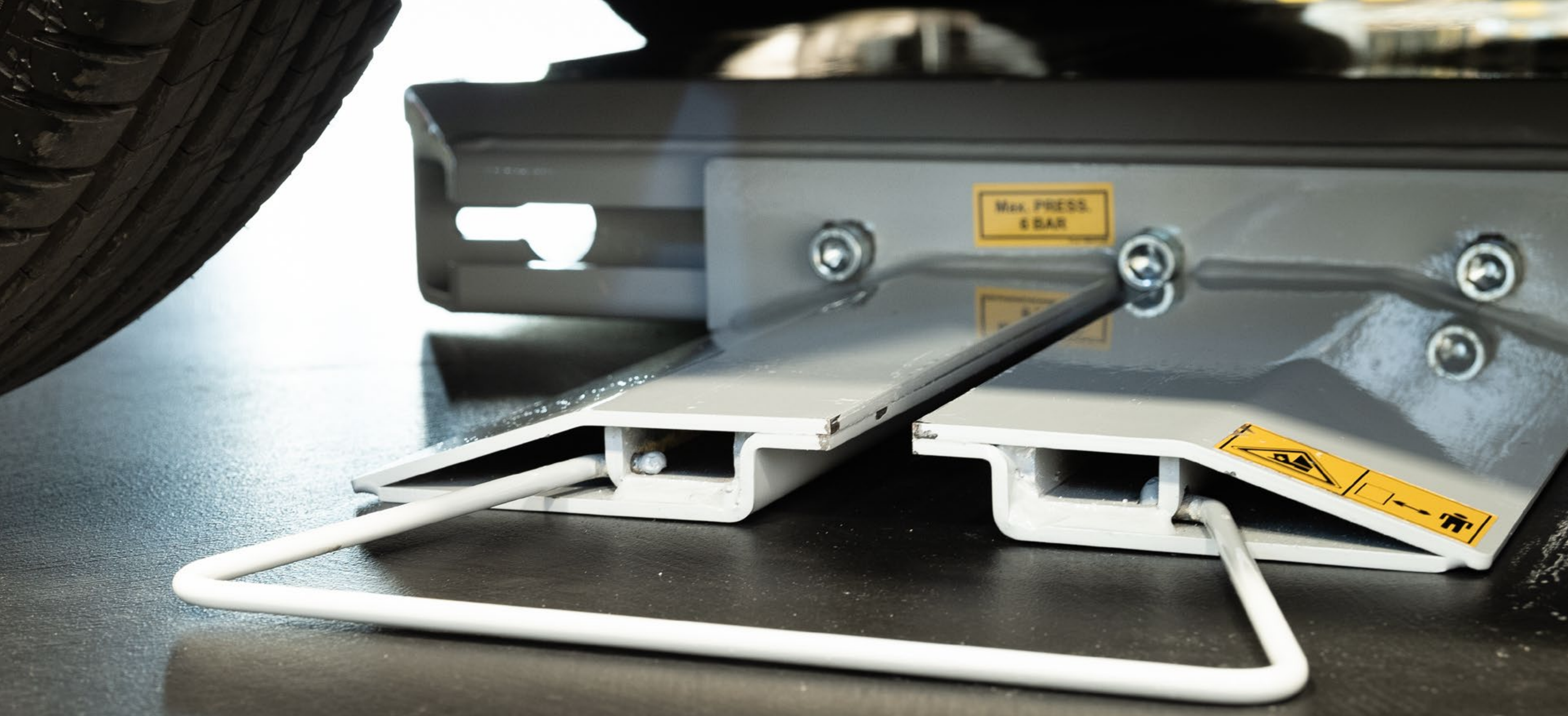
Perfect for small and medium damage



Focus **02**

Compact and rugged

Requires very little spaces



Focus **03**

No hard edges

Rounded corners

Eliminates vehicle damage during loading



Focus **04**

Fast loading of the vehicle

Low profile floor plates (only 35mm)

Always attached to the bench



Focus **05**

Multiple uses

Lift - Repair - Repair with Touch



Focus **06**

Clamp attachment without using trolleys

Universal clamps

OEM Specific clamps



Focus **07**

Touch accuracy

For even faster and more precise repairs
Real time measuring during pulling process



Focus **08**

Powerful Pulling column

360° Pulling

Safe and automatic bench connections

Standard items

Pantograph Electro-Hydraulic Lift

Control Box

Pulling Column

4 Sliding side floor plates

4 Support buffers

4 Universal clamps

Pantograph Electro-Hydraulic Lift



Control Box



4 Sliding side floor plates



4 Support buffers



Pulling Column



4 Universal clamps



Options

90RINV03	Down-Pull adaptor
90INSER010	Side pull adaptor
90MINKIT05	Extended height clamp kit for Touch Measuring system
90201935	BMW Clamps
90MINKIT22	Clamp kit for high profile / 4WD vehicles
90KTRAV010	Set of 2 crossbars for Nissan and Renault vehicles
90KFISS010	Universal Jig Kit
90KTRAV020	Set of 2 crossbars for vans and MPVs clamps (1800mm)
90MST001	Standard RH clamp set
90MST007	Standard LH clamp set
90MST002	Right sliding base set for Universal Jig crossbar
90MST006	Left sliding base set for Universal Jig crossbar
9000210B09	Kit of n.4 Trolleys 600-high, Maximum total capacity 3000kg
9000210B05	Kit of n.4 Trolleys 400-high, Maximum total capacity 2200kg
90107584	Wall bracket for clamps and buffers
90KDISC001	Set of 4 Buffers (60mm)
90MINKIT13	Low fixed support buffer kit
90MINKIT04	Extended height clamp kit
90104687	Chassis to mount Minibench on Daytona bench
90205215	500mm extension for vertical pulling column
90204905	Adaptor to mount minibench/ponybench pulling column onto serie 100 benches
90KITDAY11	Anchoring kit for Daytona (infloor)
90KITDAY12	Anchoring kit for Daytona (above ground)
90KPROL020	Set of 4 extension clamps blocks
90103401	Omega for support buffers
90CRICK010	Speedy crick
90KTRASP02	Minibench transport kit

90RINV03
Down-Pull adaptor



90INSER010
Side pull adaptor



90MINKIT05

Extended height clamp kit for Touch Measuring system



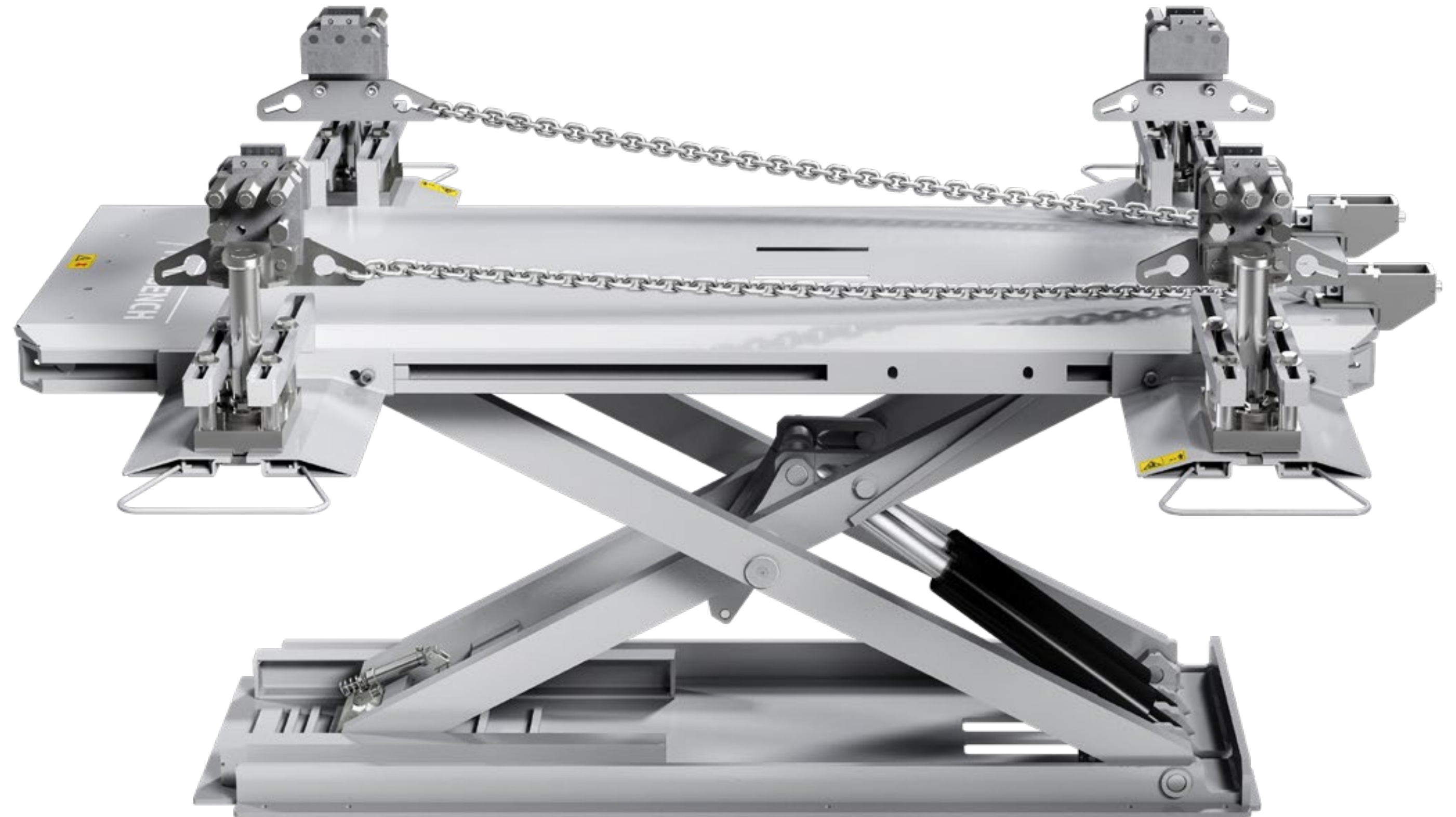
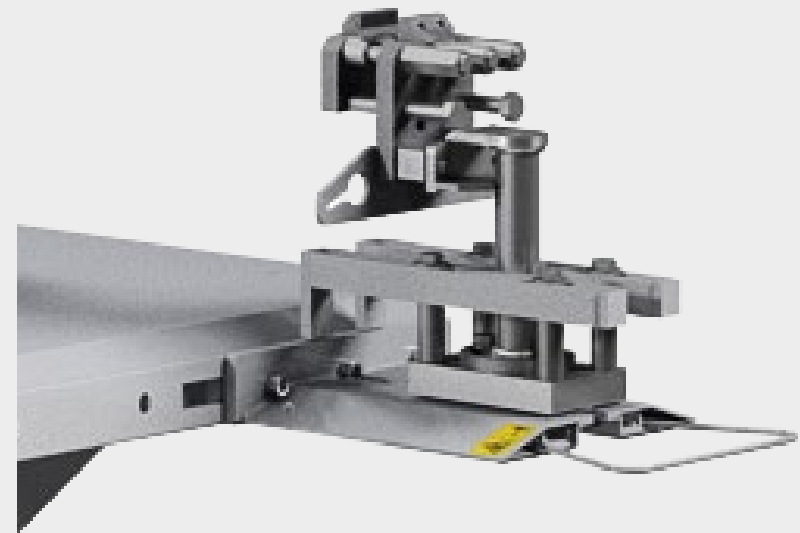
90201935

BMW Clamps



90MINKIT22

Clamp kit for high profile / 4WD vehicles



Clamp and Crossbar kit for commercial vehicles and MPV's

90MST001

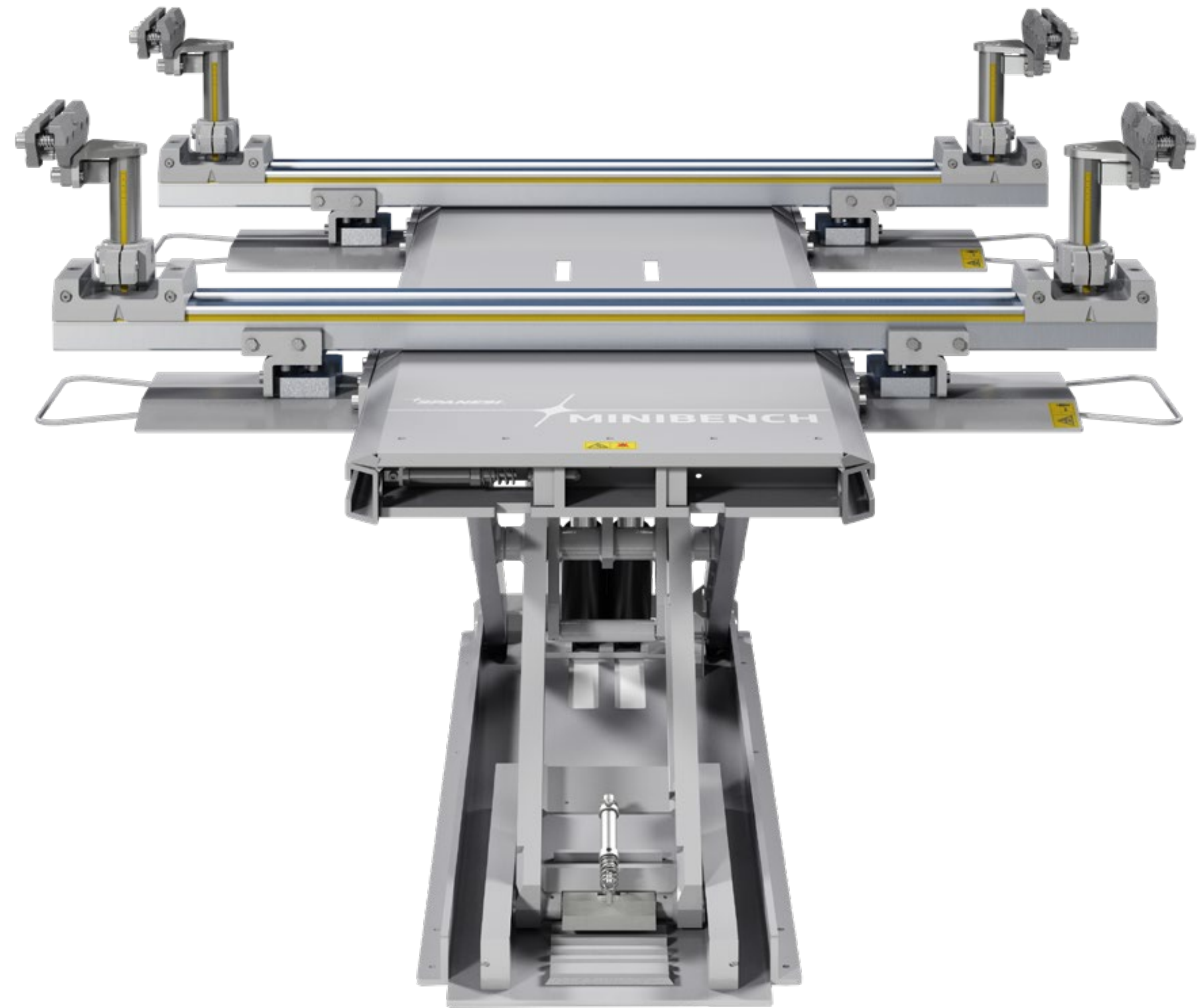
90MST007

90MST002

90MST006

90KTRAV020

Dedicated kit for repairing commercial vehicles, SUV's, and 4x4's. The kit includes specialized tools from the Universal Jig system that provides the additional centimetres needed to anchor and repair larger sized vehicles.



90KTRAV010

Set of 2 crossbars for Nissan and Renault vehicles



90KFISS010

Universal Jig Kit

The Universal Jig Kit provides mounting and anchoring of the vehicle's structural and mechanical points, without having to rely upon pinch weld holding.

- Perfect for vehicles without usable pinch welds.
- Pinch welds sustain no additional damage or tool marks during vehicle repairs.



9000210B09

Kit of n.4 Trolleys 600-high, Maximum total capacity 3000kg



9000210B05

Kit of n.4 Trolleys 400-high, Maximum total capacity 2200kg



90107584

Wall bracket for clamps and buffers



90KDISC001

Set of 4 Buffers (60mm)

